

# SEMI ROUGH TERRAIN TRUCK



• Tailift semi rough terrain forklifts is a solid forklift with wide-base deep tread tires and delivers exceptional reliability to these tough environments. You can get jobs done easier.

- Futuristic Designed
- Reliability
- Productivity
- Comfortable Operation
- Easy Maintenance
- Unparalleled Performance

**Tailift**



TOYOTA INDUSTRIES GROUP

CHARACTERISTICS	1	Manufacturer			Tailift	Tailift	Tailift	Tailift	Tailift	Tailift	
	2	Series			Z series	Z series	Z series	Z series	Z series	Z series	
	3	Model			ZFD25 (PFD25)	ZFD25 (PFD25)	ZFD30 (PFD30)	ZFG30 (PFG30)	ZFD35 (PFD36)	ZFG35 (PFG36)	
	4	Capacity (WITHOUT SIDESHIFT)	Q	Load	lb	4870	4870	5810	5810	7710	7710
		Capacity (WITH SIDESHIFT)				4490	4490	5370	5370	7220	7220
	5	Load center	C	Distance	in	24	24	24	24	24	24
	6	Standard accessory		Sideshift		sideshift	sideshift	sideshift	sideshift	sideshift	sideshift
	7	Power type		Diesel,LPG		Diesel	LPG	Diesel	LPG	Diesel	LPG
	8	Operation type		Pedestrian,Stand, Sit		Sit	Sit	Sit	Sit	Sit	Sit
	9	Tire type		P=Pneumatic	F/R	P / P	P / P	P / P	P / P	P / P	P / P
10	Wheels (X:driven)		Number	F/R	2X / 2	2X / 2	2X / 2	2X / 2	2X / 2	2X / 2	
DIMENSIONS	11	Lift at 3 stage mast	h3	Lift	in	189.0	189.0	189.0	188.976378	189.0	189.0
	12		h5	free lift Triplex 189"	in	39.9	39.9	39.0	39.0	39.6	39.6
	13	Load bracket	h8	Height of load bracket	in	48.0	48.0	48.0	48.0	48.0	48.0
	14	Fork size		Thickness(s)×Width(e)×Length(l)	in	1.6x4.8x42	1.6x4.8x42	1.8x4.8x42	1.8x4.8x42	2.0x4.8x42	2.0x4.8x42
	15	Mast tilting angle		Forward(α)/Back(β)	deg	6° / 6°	6° / 6°	6° / 6°	6° / 6°	6° / 6°	6° / 6°
	16	Overall dimensions	L2	Length to face of forks	in	106.1	106.1	112.0	112.0	117.1	117.1
	17		B	Total width/dual	in	51.8	51.8	54.7	54.7	50/66	50/66
	18		h1	Mast height lowered	in	89.9	89.9	89.9	89.9	90.6	90.6
	19		h4	Mast height extended (w/o bracket)	in	217.0	217.0	217.0	217.0	217.0	217.0
	20		h4	Mast height extended	in	237.8	237.8	237.8	237.8	237.8	237.8
	21		h6	Overhead guard height	in	86.6	86.6	87.4	87.4	85.4	85.4
	22		h7	Seat height	in	47.2	47.2	48.4	48.4	44.9	44.9
	23		b3	Fork carriage width	in	40.3	40.3	45.3	45.3	45.3	45.3
	24	Turning radius	R		in	88.6	88.6	95.3	95.3	102.4	102.4
	25	Load distance	X	From center of front axle	in	23.4	23.4	23.6	23.6	23.8	23.8
26	Aisle width	Ast	For load 800×1200/1000×1200	in	151.3/159.2	151.3/159.2	158.2/166.1	158.2/166.1	165.5/173.4	165.5/173.4	
CHASSIS	27	Service weight			lb	9575	9013	10614	10537	11277	10934
	28			number : front/rear		2/2	2/2	2/2	2/2	2/2	2/2
	29	Tire size		front		10-16.5-8P.R.	10-16.5-8P.R.	10-16.5-10P.R.	10-16.5-8P.R.	12-16.5 12PR	12-16.5 12PR
	30			rear		6.50-10-10P.R.	6.50-10-10P.R.	6.50-10-10P.R.	6.50-10-10P.R.	6.50-10-10P.R.	6.50-10-10P.R.
	31	Wheelbase	Y		in	61.0	61.0	65.0	65.0	72.8	72.8
	32	Tread		Center of tires front (std/dual)	in	40.6	40.6	43.9	43.9	43.9	43.9
				Center of tires rear	in	38.8	38.8	38.8	38.8	38.8	38.8
33	Ground clearance	m1	at lowest point	in	7.1	7.1	7.1	7.1	8.1	8.1	
34		m2	center of wheelbase	in	10.4	10.4	10.6	10.6	12.1	12.1	
35	Service brake		operation/control		Hydraulic	Hydraulic	Hydraulic	Hydraulic	Hydraulic	Hydraulic	
36	Parking brake		operation/control		Hand	Hand	Hand	Hand	Hand	Hand	
POWER	37	Battery		Type		EFB-130D31L	115D31R	EFB-130D31L	115D31R	EFB-130D31L	115D31R
	38			voltage	V	12	12	12	12	12	12
	39			capacity	AH/SHR	85AH/20HR	64	85AH/20HR	64	85AH/20HR	64
	40			Dimension	in	12L×6.8W×8.9H	12L×6.8W×8.9H	12L×6.8W×8.9H	12L×6.8W×8.9H	12L×6.8W×8.9H	12L×6.8W×8.9H
	41			Weight	lb	48	50	48	50	48	50
	42	Engine		Manufacturer		KUBOTA	KUBOTA	KUBOTA	KUBOTA	KUBOTA	KUBOTA
	43			Model		V2403-CR	WG2503-L-E3	V2403-CR	WG2503-L-E3	V2403-CR	WG2503-L-E3
	44			Rated speed	rpm	2400	2700	2400	2700	2400	2700
	45			Rated Output	Kw	42.6	46	42.6	46	42.6	46
	46			cylinders no. /displacement	NO/L	4/2434	4/2491	4/2434	4/2491	4/2434	4/2491
	47			Fuel consumption	g/kw.h	239@2400	273.1@2700	239@2400	273.1@2700	239/2400	273.1@2700
	48	Transmission		Type		Powershift	Powershift	Powershift	Powershift	Powershift	Powershift
	49			stage Fwd./Rev.	no.	1/1	1/1	1/1	1/1	1/1	1/1
	50	Service Pressure			kg/cm <sup>2</sup>	185	185	185	185	185	185

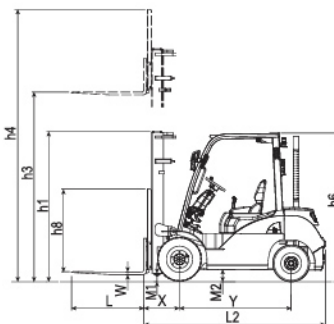
## Tailift Material Handling USA Inc.

14710 John F Kennedy Blvd. Suite 100 Houston, TX 77032

Office : (281)-466-1000 FAX : (281)-864-3847

www.tailift-usa.com

DOC.S/N : DEB103-01-USA



Ast= X+R+b+a  
B= Load length  
A= Clearance (200mm)

