



Model :
T-CQDH18C
(single scissor)

AC **EPS**

Model	T-CQDH18C (single scissor)		
Drive type	Battery		
Load capacity / Rated load	Q (lb)	3968	
Load centre distance	C (inch)	23.6	
Load distance, centre of drive axle fork	X (inch)	9.7	
Tyre size (front)	inch	11x3.9 + 6.3x2.4x10.2(0.8)	
Tyre size (rear)	inch	125x82(4)	
Wheels, number front rear (x = driven wheels)		1x+2/4	
Tilt of mast / fork carriage (forward / backward)	Grad	2 / 5	
Height, mast lowered	h1 (inch)	83.7 / 93.5 / 103.3	86.0 / 92.3 / 98.6 / 105.3 / 111.6
Free lift	h2 (inch)	~	62.0 / 66.9 / 71.9 / 78.7 / 83.7
Max. lift height	h3 (inch)	118.1 / 137.8 / 157.5	177.2 / 196.9 / 215.5 / 236.2 / 255.9
Height, mast extended	h4 (inch)	153.5 / 173.2 / 192.9	212.6 / 232.2 / 251.9 / 271.7 / 290.6
Height of overhead guard	h6 (inch)	88.4	
Overall width	b1/b2 (inch)	51.1 / 40.9	51.1 / 40.9
Overall length	L1 (inch)	106.9	
Length to face of forks	L2 (inch)	63.7	
Fork Dimension (S x E x L)	inch	1.6 x 3.9 x 42.1	
Reach distance	L4 (inch)	19.7	
Fork height, lowered	h8 (inch)	1.6	
Distance of "X" (see below diagram)	inch	17.7	
Overall length (excluding the fork)	inch	79.6	
Ground clearance, centre of wheelbase	m2 (inch)	1.9	
Aisle width for pallets 39.4"x 47.2" crossways	Ast (inch)	118.6	
Aisle width for pallets 31.5"x 47.2" lengthways	Ast (inch)	121.5	
Turning radius	Wa (inch)	72.8	
Travel speed (laden / unladen)	mph	4.0 / 4.3	
Lift speed (laden / unladen)	mph	0.45 / 0.67	
Lowering speed (laden / unladen)	mph	0.72 / 0.69	
Battery voltage, nominal capacity K5	V / Ah	36 / 700	
Battery weight	lb	1786	
Battery dimension (L x W x H)	inch	38.5 x 15.6 x 30.1	
Service weight (with battery)	lb	7297 / 7408 / 7518	7826 / 8047 / 8267 / 8488 / 8708

Advantages :

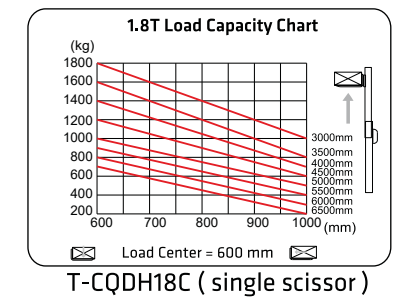
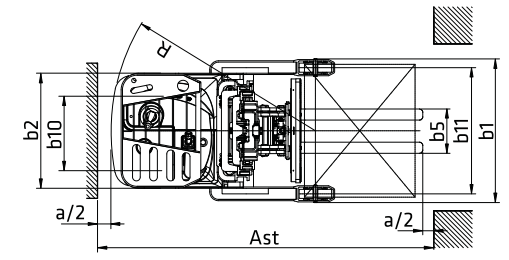
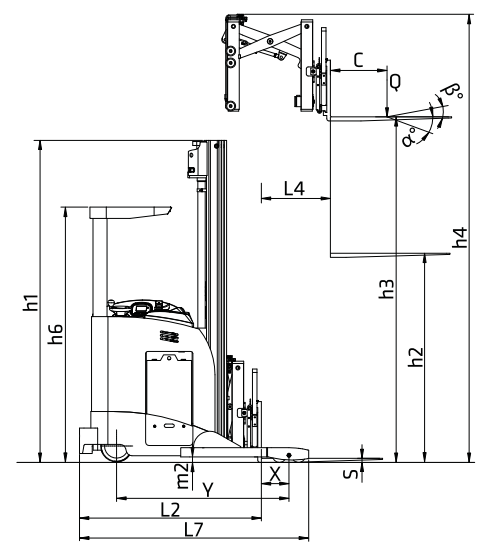
SAFETY AND STABILITY

- AC motor drive with high efficiency, no need to replace carbon brush, very good ramp starting performance.
- Two model function can control the speed of lift and lowering.
- Low center of gravity, excellent stability for operation.
- Small turning radius, good turning performance.
- With advanced variable frequency AC motor free maintenance and excellent performance.
- Can control the speed of driving and lifting in the same time.
- Shock absorber system support good noise reduction.
- Wide view mast and clear visibility.
- With full free lifting, can work in the limited roof environment.
- Import proportional hydraulic valve, adjustable speed for lifting / lowering.
- Multi-function display: battery status, hour meter, fault code, slow running state, etc

- Big power controller (350A) with big power electric motor (10 kW), support excellent reliability.
- Double scissors reach fork let the reach distance up to 1000mm.
- The mast fixed with the frame, when fork move forward, the mast can become the balance weight, reduce the total service weight.
- With advanced 36V electric control system, smaller electric current, ensure the reliability of the battery system.
- High speed of lifting and lowering, 300% faster than normal type truck.

STRUCTURAL

- Side way battery is very convenient to do maintenance and replace batteries.
- CANbus technology reduces wiring complexity, making the line clear and orderly. Increases the truck's reliability and easy to repair.
- The Mast can be separate from the frame, very good interchange ability (option).



TAILIFT MATERIAL HANDLING TAIWAN CO., LTD.
 No. 5, Zili 1st Road, Nankang Industrial Zone, Nantou city 540, TAIWAN
 Tel: +886-49-2263800 Fax: +886-49- 2252919
 Website: www.tailift.com E-mail: insales@tailift.com.tw

TAILIFT MATERIAL HANDLING USA, Inc.
 5550 Jurupa St, Ontario, CA 91761
 TEL: (909) 930-9801, (909) 930-9802 FAX: (909) 930-9739
 Website: www.tailift-usa.com



Model : T-CQDH18C (double scissors)

AC EPS

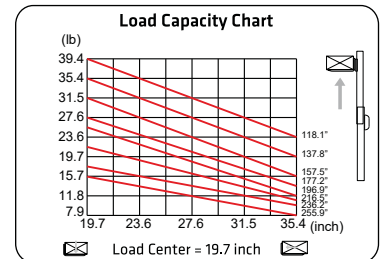
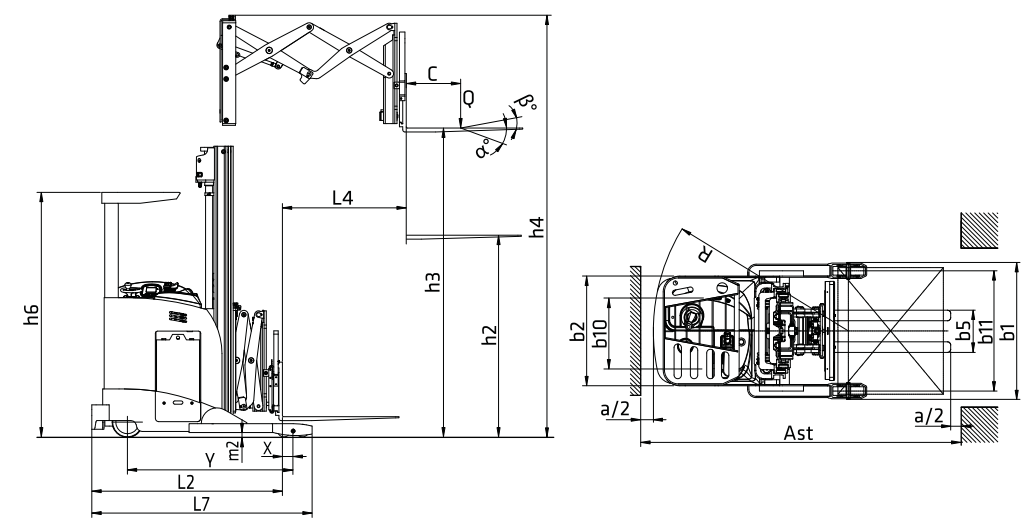


Multi function display



Control handle with integrated thumb stick, allows smooth operation of
(1)Tracel, (2) Lift / low
(3) Controls Tilt and Fork Reach.

Model	T-CQDH18C (double scissors)		
Drive type	Battery		
Load capacity / Rated load	Q (lb)	2200	
Load centre distance	C (inch)	23.6	
Load distance, centre of drive axle fork	X (inch)	4.8	
Tyre size, front	inch	11.0x3.9 + 6.3x2.4(2pcs)	
Tyre size, rear	inch	4.9 x 3.2 (4pcs)	
Wheels, number front rear (x = driven wheels)		1x+2/4	
Tilt of mast / fork carriage (forward / backward)	Grad	2 / 5	
Height, mast lowered	h1 (inch)	83.7 / 93.5 / 103.3	86.0 / 92.4 / 98.6 / 105.3 / 111.8
Free lift	h2 (inch)	~	62.0 / 66.9 / 71.9 / 78.7 / 83.7
Max. lift height	h3 (inch)	118.1 / 137.8 / 157.5	177.2 / 196.9 / 216.5 / 236.2 / 255.9
Height, mast extended	h4 (inch)	158.9 / 178.5 / 198.2	217.9 / 237.6 / 257.3 / 277.0 / 296.7
Height of overhead guard	h6 (inch)	88.4	
Overall width	b1/b2 (inch)	51.1 / 40.9	
Overall length	L1 (inch)	101.8	102.7
Length to face of forks	L2 (inch)	67.9	68.9
Fork Dimension (S x E x L)	inch	1.6 x 3.9 x 42.1	
Reach distance	L4 (inch)	47.2	
Fork height, lowered	h8 (inch)	1.6	
Distance of "X" (see below diagram)	inch	17.7	
Overall length (excluding the fork)	inch	79.6	
Ground clearance, centre of wheelbase	m2 (inch)	1.9	
Aisle width for pallets 39.4"x 47.2" crossways	Ast (inch)	122.4	123.3
Aisle width for pallets 31.5"x 47.2" lengthways	Ast (inch)	125.9	126.8
Turning radius	Wa (inch)	72.8	
Travel speed (laden / unladen)	mph	4.0 / 4.3	
Lift speed (laden / unladen)	mph	0.45 / 0.67	
Lowering speed (laden / unladen)	mph	0.72 / 0.70	
Battery voltage, nominal capacity K5	V / Ah	36 / 700	
Battery weight	lb	1786	
Battery dimension (L x W x H)	inch	978 x 395 x 765	
Service weight (with battery)	lb	7518 / 7628 / 7848	8157 / 8378 / 8598 / 8818 / 9039



T-CQDH18C (double scissors)

TAILIFT MATERIAL HANDLING TAIWAN CO., LTD.
 No. 5, Zili 1st Road, Nankang Industrial Zone, Nantou city 540, TAIWAN
 Tel: +886-49-2263800 Fax: +886-49- 2252919
 Website: www.tailift.com E-mail: insales@tailift.com.tw

TAILIFT MATERIAL HANDLING USA, Inc.
 5550 Jurupa St, Ontario, CA 91761
 TEL: (909) 930-9801, (909) 930-9802 FAX: (909) 930-9739
 Website: www.tailift-usa.com

