

TRUCK SPECIFICATIONS

SERIES 3600~7000 lbs ZFBT18 ZFBT20 ZFB18 ZFB25 ZFB30 ZFB35 ZFB25C ZFB30C

CHARACTERISTICS											
Load Capacity (Measured from load center, max fork height)	Q	130" Duplex Mast w/o Sideshift	lbs	3600	4000	3600	5000	6000	7000	5000	6000
		189" Triplex Mast w/ Sideshift	lbs	2665	3220	2780	3835	5225	5420	4495	5200
Load Center	C	Distance	in	24	24	24	24	24	24	24	24
Drive Power Type		Electric, Diesel, Gasoline, LPG	Electric	Electric	Electric	Electric	Electric	Electric	Electric	Electric	Electric
Operator Type		Pedestrian, Standing, Seated	Seated	Seated	Seated	Seated	Seated	Seated	Seated	Seated	Seated
Tire Type		P-Air Pneumatic, S-Solid Pneumatic, C-Cushion	F/R	S/S	S/S	S/S	S/S	S/S	S/S	C/C	C/C
DIMENSIONS											
3-Stage Mast	h3	Maximum Lift Height (Forks)	in	189.0	189.0	189.0	189.0	189.0	189.0	189.0	189.0
	h5	Full Free Lift w/LBR	in	36.7	36.7	38.6	38.6	38.6	37.7	37.7	38.1
Mast Tilting Range		Forward(α)/Backward(β)	deg.	4°/6°	4°/6°	6°/6°	6°/6°	6°/6°	6°/6°	6°/6°	6°/6°
		Thickness(s)×Width(e)×Length(l)	in	1.4x3.9x48	1.6x4.8x48	1.4x3.9x48	1.6x4.8x48	1.6x4.8x48	2.0x4.8x48	1.6x4.8x48	1.6x4.8x48
Carriage Width	b3		in	36.2	36.2	36.2	40.3	45.3	45.3	36.2	38.2
	L2	Length to Face of Forks	in	80.9	81.1	80.5	90.2	97.8	97.8	89.5	94.0
Overall Dimensions	B	Overall Width	in	42.7	42.7	42.5	45.3	49.6	49.6	44.5	44.5
	h1	Height, Mast Lowered	in	86.1	86.1	87.0	87.0	87.0	87.0	86.1	86.5
	h4	Height, Mast Extended (w/ LBR)	in	237.8	237.8	237.8	237.8	237.8	237.8	237.8	237.8
	h6	Height of Overhead Guard	in	82.1	82.1	84.4	84.4	84.4	84.4	88.6	88.6
	h7	Seat Height	in	39.8	39.8	40.9	40.9	40.9	40.9	47.8	47.8
Load Backrest	h8	Height of Load Backrest	in	48	48	48	48	48	48	48	48
	As	for Pallets 31x47 (800x1200) Crossways	in	120	123.8	139.8	148.5	152.1	152.3	128.2	135.3
Aisle Width	As	for Pallets 39x47 (1000x1200) Lengthways	in	127.9	131.6	147.7	156.4	160	160.2	136.1	143.2
	R	Minimum from Outermost Edge	in	62.6	62.6	76.6	84.8	88.2	88.2	68.7	72.6
Load Distance	X	From Center of Front Axle to Fork	in	18.1	18.3	19.8	22.0	22.4	22.6	18.4	19.9
CHASSIS											
Wheels		Number (X=Driven Wheels)	F/R	2x / 2	2x / 2	2x / 2	2x / 2	2x / 2	2x / 2	2x / 2	2x / 2
Solid Pneumatic Tire Size		Front		18x7-8	18x7-8	21x8x9-14	23x9-10-16	23x9-10-20	23x9-10-20	21x7x15	21x8x15
		Rear		15x4 1/2-8	15x4 1/2-8	5-8-10	18x7-8-14	18x7-8-14	18x7-8-14	16-1/4x5x11-1/4	16-1/4x6x11-1/4
Wheelbase	Y	Distance	in	55.9	55.9	53.1	58.5	61.7	61.7	50.4	54.7
		Center Of Tires, Front	in	36.2	36.2	35.8	39.1	40.7	40.7	34.8	34.8
Tread		Center Of Tires, Rear	in	8.1	8.1	35.2	37.4	38.9	38.9	35.4	35.4
		At the Lowest Point, Loaded	in	4.1	4.1	4.7	4.7	4.7	4.7	4.1	4.3
Ground Clearance	m2	Center Of Wheelbase, Loaded	in	3.7	3.7	4.5	4.5	4.5	4.5	4.7	4.7
		Control/Operation Method		Foot/ Hydraulic	Foot/ Hydraulic	Foot/ Hydraulic	Foot/ Hydraulic	Foot/ Hydraulic	Foot/ Hydraulic	Foot/ Hydraulic	Foot /Hydraulic
Service Brake		Control/Operation Method		Hand/ Mechanical	Hand/ Mechanical	Hand/ Mechanical	Hand/ Mechanical	Hand/ Mechanical	Hand/ Mechanical	Hand/ Mechanical	Hand/ Mechanical
		Standard with min. weight of battery	lbs	8030	8265	8536	10670	13363	13913	10505	11484
Axle Loading, Loaded		Front / Rear	lbs	6010/2044	6450/1839	6846/1714	8195/2499	10609/2778	10887/3050	7896/2633	8640/2868
		Front / Rear	lbs	3982/4048	3997/4268	4532/4004	5159/5511	6653/6710	6763/7150	4092/6413	4444/7040
POWERTRAIN											
Battery		Type		LHON	LHON	L Acid/LHON	L Acid/LHON	L Acid/LHON	LHON	LHON	
		Voltage	V	48	48	48	48	80	80	48	48
		Min. Capacity (5 Hours Rating)	Ah/SHR	315	315	460 / 315	-- / 315	560 / --	560 / --	315	315
		Max. Capacity (5 Hours Rating)	Ah/SHR	420	420	600 / 420	565 / 420	600 / --	600 / --	420	420
		Battery Compartment Size (LxWxH) (Max.)	in	38x22x24.4	38x22x24.4	38.4x18.3x24.4	42.2x22.8x24.4	44.3x24x24.4	44.3x24x24.4	38.2x27.6x22.6	38.2x27.6x22.6
Electric Motor		Weight (Minimum)	lbs	1782	1782	1628	1782	3256	3256	2191	2376
		Drive Motor	HP	6.4x2	6.4x2	11.4	11.4	26.8	26.8	15.4	15.4
		Lift (Hydraulic) Motor	HP	26.8	26.8	26.8	26.8	32.2	32.2	26.8	26.8
Control Type		Drive and Hydraulic		AC	AC	AC	AC	AC	AC	AC	
Control System		Manufacturer		ZAPI	ZAPI	ZAPI	ZAPI	ZAPI	ZAPI	ZAPI	

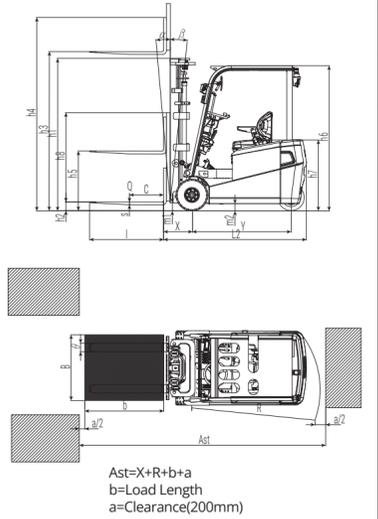
* The specifications, values, and technical data are based on standard equipment under typical operating conditions, but may vary due to different configurations which all information is subject to change without prior notice.



USA

Tailift Material Handling USA Inc.

USA office
14710 John F Kennedy Blvd. Suite 100
Houston, TX 77032
Office: (281)-466-1000
FAX : (281)-864-3847
www.tailift-usa.com



COUNTERBALANCED FORKLIFT



3600~7000 lbs ELECTRIC



MAST SPECIFICATIONS

Mast Type	Mast Height (Max. Fork Height)	Fully Lowered Height	Fully Extended Height				Free Lift				Single Tires w/ Sideshift					
			Without STD Load Backrest		With STD Load Backrest		Without STD Load Backrest		With STD Load Backrest		Tilting Range		Load Capacity Load Center			
			in	mm	in	mm	in	mm	in	mm	deg.	deg.	24 in	600 mm		
ZFBT18																
2 Stage	130	3300	86.6	2200	154.9	3934	178.0	4520	0.0	0	0.0	0	4	6	3370	1530
	157	4000	100.4	2550	182.4	4634	205.5	5220	0.0	0	0.0	0	4	6	3370	1530
2 Stage (FFL)	130	3300	86.6	2200	154.9	3934	178.0	4520	60.3	1531	37.2	945	4	6	3370	1530
	157	4000	82.2	2088	188.7	4792	211.7	5378	55.9	1419	32.8	833	4	6	2865	1300
3 Stage (FFL)	177	4500	85.0	2158	201.7	5124	224.8	5710	58.6	1489	35.6	903	4	6	2780	1260
	189	4800	86.1	2188	214.7	5454	237.8	6040	59.8	1519	36.7	933	4	6	2665	1210
ZFBT20																
2 Stage	130	3300	86.6	2200	154.9	3934	178.0	4520	0.0	0	0.0	0	4	6	3770	1710
	157	4000	100.4	2550	182.4	4634	205.5	5220	0.0	0	0.0	0	4	6	3770	1710
2 Stage (FFL)	130	3300	86.6	2200	154.9	3934	178.0	4520	60.3	1531	37.2	945	4	6	3770	1710
	157	4000	82.2	2088	188.7	4792	211.7	5378	55.9	1419	32.8	833	4	6	3370	1530
3 Stage (FFL)	177	4500	85.0	2158	201.7	5124	224.8	5710	58.6	1489	35.6	903	4	6	3260	1480
	189	4800	86.1	2188	212.2	5390	235.3	5976	59.8	1519	36.7	933	4	6	3220	1460
ZFB18																
2 Stage	130	3300	86.6	2200	154.9	3934	178.0	4520	0.0	0	0.0	0	6	8	3220	1460
	157	4000	100.4	2550	182.4	4634	205.5	5220	0.0	0	0.0	0	6	6	3220	1460
2 Stage (FFL)	130	3300	86.6	2200	154.9	3934	178.0	4520	61.7	1566	38.6	980	6	8	3220	1460
	157	4000	76.5	1943	182.1	4626	205.2	5212	51.1	1299	28.1	713	6	6	2950	1340
3 Stage (FFL)	177	4500	83.1	2110	201.7	5124	224.8	5710	57.7	1466	34.6	880	6	6	2780	1260
	189	4800	87.0	2210	214.7	5454	237.8	6040	61.7	1566	38.6	980	6	6	2780	1260
ZFB25																
2 Stage	130	3300	86.6	2200	158.2	4019	178.0	4520	0.0	0	0.0	0	6	8	4695	2130
	157	4000	100.4	2550	185.8	4719	205.5	5220	0.0	0	0.0	0	6	6	4695	2130
2 Stage (FFL)	130	3300	86.6	2200	158.2	4019	178.0	4520	58.5	1486	38.6	980	6	8	4695	2130
	157	4000	76.5	1943	185.5	4711	205.2	5212	48.0	1219	28.1	713	6	6	4520	2050
3 Stage (FFL)	177	4500	83.1	2110	205.1	5209	224.8	5710	54.6	1386	34.6	880	6	6	3835	1740
	189	4800	87.0	2210	218.1	5539	237.8	6040	58.5	1486	38.6	980	6	6	3835	1740
ZFB30																
2 Stage	130	3300	86.6	2200	158.4	4023	178.0	4520	0.0	0	0.0	0	6	8	5620	2550
	157	4000	100.4	2550	185.9	4723	205.5	5220	0.0	0	0.0	0	6	6	5620	2550
2 Stage (FFL)	130	3300	86.6	2200	155.0	3938	178.0	4520	61.9	1573	38.6	980	6	8	5620	2550
	157	4000	76.5	1943	182.3	4630	205.2	5212	51.4	1306	28.1	713	6	6	5620	2550
3 Stage (FFL)	177	4500	83.1	2110	201.9	5128	224.8	5710	58.0	1473	34.6	880	6	6	5225	2370
	189	4800	87.0	2210	218.2	5543	237.8	6040	61.9	1573	38.6	980	6	6	5225	2370
ZFB35																
2 Stage	130	3300	86.6	2200	158.4	4023	178.0	4520	0.0	0	0.0	0	6	8	6570	2980
	157	4000	100.4	2550	185.9	4723	205.5	5220	0.0	0	0.0	0	6	6	6570	2980
2 Stage (FFL)	130	3300	86.6	2200	158.4	4023	178.0	4520	58.8	1493	38.6	980	6	8	6570	2980
	157	4000	76.5	1943	185.6	4715	205.2	5212	48.3	1226	28.1	713				

FEATURES

3600~7000 lbs

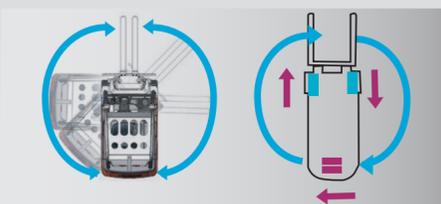
Streamline your operations with efficient Lithium-ion forklifts!

Tailift's latest advancements bring our internationally renowned quality and durability to lithium-ion battery powered forklifts, which are designed to increase efficiency, reduce charging time, and enhance productivity. Improvements have been made specifically in the areas of hydraulic functionality, overall performance and electrical components. Our ergonomic and versatile forklifts are particularly schemed to meet the needs of warehouses, distribution centers and manufacturing facilities.



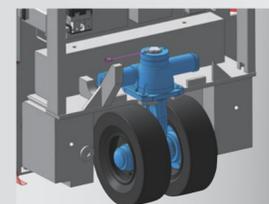
HEAVY-DUTY CHASSIS

Our no-bolt heavy-duty chassis provides relentless protection and sturdy longevity. Designed to withstand extreme weight and high temperatures, utilizing the durability of high-carbon German steel.



COMPACT MOBILITY

For smooth operation in condensed spaces, drive motors are compact and powerful, featuring less than 65" inch turning radius on 3-wheel models.



EFFICIENT SERVICE

Accessible rear service panels, compact fuse boxes, and durable brake system ensure quick and efficient upkeep.

RELIABLE SUPPORT

Built with high-quality components, backed by accessible service support team, trusted engineering, manufacturer-provided warranty, and centrally located OEM parts. Ensuring lasting quality and value.



CLEAR VISIBILITY

Clear View Mast with a Lowered Lift Cylinder, Slotted Overhead Guard, and Open Rear visibility.



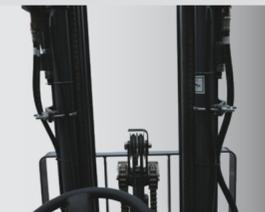
ERGONOMIC ACCESSIBILITY

Featuring our easy entry step and handle, adjustable features, and a maximized operation space.



SUSPENSION SEAT

High-efficiency shock absorbers and seat belts, ergonomically designed to relieve the pressure from the back & arm, and double-sided armrests provide additional support to enhance the operation comfort.



LED LIGHT PACKAGE

These power-efficient and sleek new LED lights last longer and are brighter than our previous designs!



IMPROVED INSTRUMENT PANEL

The all-in-one dashboard keeps operators informed of crucial battery and performance indicators at a glance.



TIGHT TURNING

Our three-wheel models feature less than 65" inch turning radius, with the ability to rotate tires to a dynamic 90-degree angle.



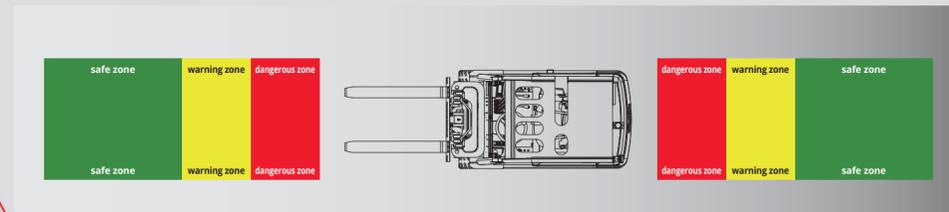
OPTIMIZED STEERING COLUMN

Minimizing strain and increasing efficiency through comfortable, accessible, and adjustable operation features.



REVERSE FEATURES

Safely and seamlessly travel in reverse with an accessible rear grip equipped with a horn button and LED indicator lights.



PREMIUM VISIBILITY OPTION

Increase warehouse safety and improve operator's ability to quickly identify surrounding hazards by adding an electric intelligent camera warning system.

QUICK CHARGE

Streamline your operations and shorten charging time. Simply plug in the charger, and power from empty to full in 2 hours or less. No daily battery upkeep, exchanges, or cooling periods are needed.

MINIMAL UPKEEP

Say goodbye to watering, equalizing, draining, corrosion, and lead acid maintenance. Lithium-ion batteries are sealed, clean, and compact, with an informative battery display and minimal service needed.

EFFICIENT POWER

Increased output, endurance, and overall efficiency with minimal self-discharge and power loss. As the battery power drops, the forklift will continue at peak performance without reducing speed or strength until empty.

COST EFFECTIVE

Reduced time and resources spent on energy and charging with increased ROI and lasting battery life. These energy-efficient batteries save on electrical expenses and last up to 10 years.

OPPORTUNITY CHARGE

No battery memory allows for quick charging anytime. Ideal for multi-shift operations, increasing your operation's productivity and removing the need for battery exchanges and long charging wait times.

