

SPECIFICATION

3600~8000 lbs

PF618 PFD25 PFG25 PFD30 PFG30 PFD36 PFG36

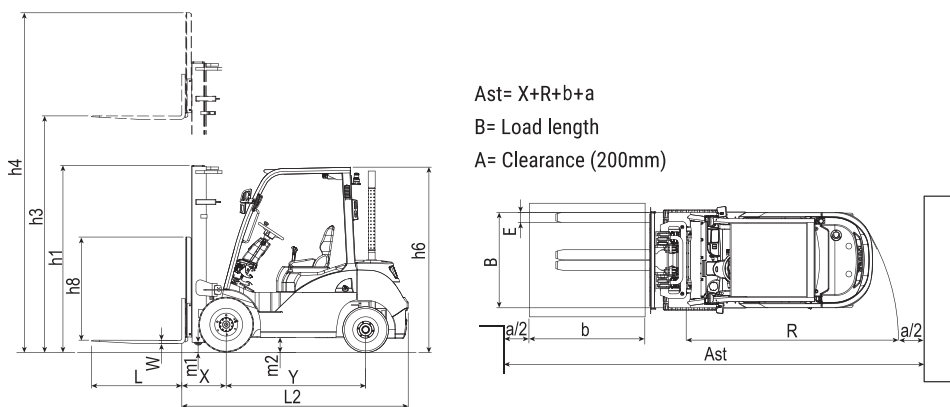
CHARACTERISTICS							
Capacity	Q	Without Sideshift	lbs	3600	5000	6000	8000
		With Sideshift	lbs	3280	4650	5550	7500
Load Center	C	Distance	in	24	24	24	24
Power Type		Diesel, LPG		LPG	Diesel	LPG	Diesel
Operation Type				Sit	Sit	Sit	Sit
Tire Type		P=Pneumatic, S=Solid	F/R	S / S	S / S	S / S	S / S

DIMENSIONS							
Lift At 3-Stage Mast	h3	Lift	in	189	189	189	189
	h5	Full Free Lift (Triplex 189")	in	36.4	37.2	37.2	37.2
Load Bracket	h8	Height Of Load Bracket	in	48	48	48	48
Fork Size		Thickness(s)xWidth(e)xLength(l)	in	1.4 x 3.9 x 42	1.6 x 4.8 x 42	1.8 x 4.8 x 42	2.0 x 4.8 x 42
Mast Tilting Angle		Forward(α)/Back(β)	deg	6° / 6°	6° / 6°	6° / 6°	6° / 6°
Overall Dimensions	L2	Length To Face Of Forks	in	94.3	104.7	112.2	116.1
	B	Total Width/Dual	in	42 / 0	45.4 / 61.6	50 / 66.2	50 / 66.2
	h1	Mast Height Lowered	in	87.3	87.3	88.1	88.1
	h4	Mast Height Extended	in	237.8	237.8	237.8	237.8
	h6	Overhead Guard Height	in	83.5	85	85	85.6
	h7	Seat Height	in	43.7	44.5	44.9	44.9
	Turning Radius	R		in	82.7	87.8	94.6
Load Distance	X	From Center Of Front Axle	in	21.2	22	22.4	22.6
Aisle Width	Ast	For Load 800x1200 / 1000x1200	in	143.3 / 151.1	149.2 / 157	156.2 / 164.2	164.4 / 172.2
Service Weight			lbs	7798 / 7842	9332 / 8991	11090 / 10130	11277 / 10885

CHASSIS							
Tire Size		Wheels (X: driven)	F/R	2X / 2	2X / 2	2X / 2	2X / 2
		Front		6.50-10-10PR.	7.00-12-12PR.	8.15-15-14PR.	8.15-15-14PR.
		Rear		5.00-8-8PR.	6.00-9-10PR.	6.50-10-10PR.	6.50-10-10PR.
Wheelbase	Y		in	54	61	65	73
		Center Of Tires Front Std (Dual)	in	35.4	38.2 (52.95)	41.5 (57.4)	41.5 (57.4)
Tread		Center Of Tires Rear	in	36.4	38.8	38.8	38.8
		At Lowest Point	in	4.7	4.7	4.7	4.7
Clearance	m2	Center Of Wheelbase	in	7.1	7.7	8.7	8.7
Service Brake		Operation/Control		Hydraulic	Hydraulic	Hydraulic	Hydraulic
Parking Brake		Operation/Control		Hand	Hand	Hand	Hand

POWER							
Battery	Type		115D31R	EFB-130D31L	115D31R	EFB-130D31L	115D31R
	Voltage	V	12	12	12	12	12
	Capacity	Ah/5hr	64	85Ah/20hr	64	85Ah/20hr	64
	Dimension (LxWxH)	in	12 x 6.8 x 8.9	12 x 6.8 x 8.9	12 x 6.8 x 8.9	12 x 6.8 x 8.9	12 x 6.8 x 8.9
	Weight	lbs	49.8	48.4	49.8	48.4	49.8
Engine	Manufacturer		KUBOTA	KUBOTA	KUBOTA	KUBOTA	KUBOTA
	Model		WG2503-L-E3	V2403-CR	WG2503-L-E3	V2403-CR	WG2503-L-E3
	Rated Speed	rpm	2700	2400	2700	2400	2700
	Rated Output	hp	62	58	62	58	62
	Cylinders No./Displacement	No./L	4 / 2.491	4 / 2.434	4 / 2.491	4 / 2.434	4 / 2.491
	Fuel Consumption	g/kWh	273.1@2700	239@2400	273.1@2700	239@2400	273.1@2700
	Transmission	Type		Powershift	Powershift	Powershift	Powershift
Service Pressure	Stage Fwd./Rev.	no.	1 / 1	1 / 1	1 / 1	1 / 1	
		kgf/cm²	185	185	185	185	

* This is only for reference and not subject to notice in advance if there is any modification. DOC. S/N : DEB091-04
 * Service weight may vary with part upgrades and product improvements.



USA

Tailift Material Handling USA Inc.

USA office

14710 John F Kennedy Blvd. Suite 100
Houston, TX 77032

Office: (281)-466-1000

FAX : (281)-864-3847

www.tailift-usa.com



IC COUNTERBALANCE TRUCK



**3600~
8000 lbs
PNEUMATIC**



DEB091-04-USA

Z SERIES **3600~8000 lbs**
Pneumatic

FEATURES Better Than Ever

These forklifts are Tailift's top-selling products, with a good reason! They were built specifically for terrain versatility and heavy lifting. Durability and reliability were our top priorities when designing these forklifts. Showcasing the latest advancements from Tailift, the user experience is better than ever.

The newly updated design is sure to meet the requirements of any worksite in terms of quality, performance, and efficiency. Improvements include LED efficient lighting, low-emission engines, and new transmissions. Our versatile Z Series Pneumatic forklifts feature a 3,600 to 8,000 lifting capacity.

EMISSIONS

Now with **Kubota engines** that comply with the latest EPA Tier 4 + EU Stage V regulations. The advanced EPA Tier 4 technology produces cleaner emissions and improved performance to exceed customers' expectations.



HEAVY-DUTY CHASSIS

Durability is ensured with our no-bolt design. Our chassis were built with safety in mind, these integral heavy-duty chassis give the driver more protection from falling loads.



EASY MAINTENANCE

- Open hood space increased! Enlarged, 80-degree angle, maintenance space makes service more accessible than ever.
- Durable and heat-resistant iron engine hood, able to withstand 990 lbs.
- LPG tank brackets, designed to make propane change-outs quick and easy.
- Integrated engine hood latches are durable and easily opened.
- Compact fuse boxes for easy and quick inspections.
- Easy to change the air filter.



CLEAR VISIBILITY

- Slotted Overhead Guard
- High Visibility Mast
- Open Rear Visibility
- Lowered Lift Cylinder



KUBOTA ENGINE

High-performance Z-Series internal components provide operators with reliable lifting power.



LED LIGHTS

These power-efficient and sleek new LED lights last longer and are brighter than our previous designs!



REAR ASSIST GRIP WITH HORN BUTTON

Rear grip handles are equipped with a horn button for easy access while traveling in reverse. NOW on all-new Z Series forklifts!



SUSPENSION SEAT

Our improved seat design can be easily adjusted and prioritizes comfort! The seat easily moves forward and back with an adjustable backrest and retractable seat belt.



NON-SLIP ENTRY STEP

Increased foot space and non-slip grip make it safer to get on and off the forklift.



ADJUSTABLE STEERING WHEEL COLUMN

Easily tilted and adjusted to provide an ideal operating position and increased comfort!



HIDDEN TILT CYLINDER

To reduce scraping, enlarge access space, and improve design, tilt cylinders are internally stored.



LCD INSTRUMENT PANEL

Large and easy to read, this instrument panel is in the optimal position for legibility. The display has multiple indicators to keep the operator informed on the forklift's functions.