

Options



Swing-down bracket



swing-out LPG bracket



Dual wheel



Upward Exhaust Pipe I



Mast Lock



Super elastic solid tires



Cabin



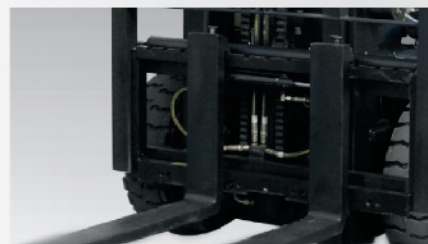
Rain Guard(Standard:Acrylics; Option:Glass)



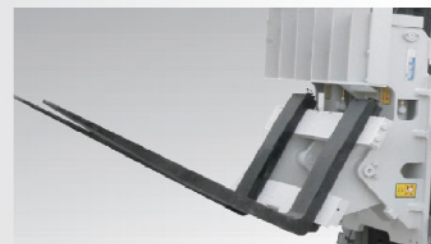
Climate controlled full cabin



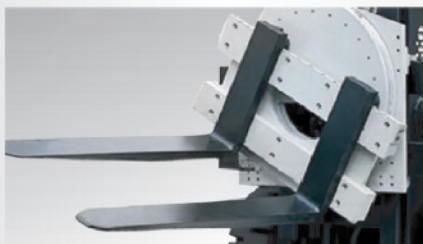
Pre-cleaner engine air intake



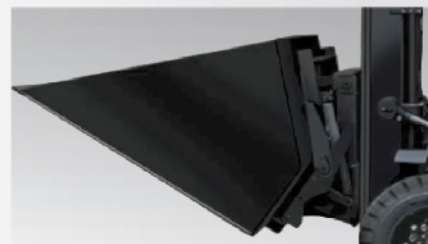
Side shift



Hinged Fork



Rotating Fork



Shovel



Bale Clamp

Specification

CHARACTERISTICS	1 Manufacturer		Tailift		Tailift		Tailift		Tailift		Tailift	
	2 Series		Z series		Z series		Z series		Z series		Z series	
	3 Model		ZFG18 (PFG18)		ZPFD20 (PFD20)		ZFG20 (PFG20)		ZPFD25 (PFD25)		ZFG25 (PFG25)	
4 Capacity	Q	Load	lbs	3500	4000	5000	6000	8000				
5 Load center	C	Distance	in	24	24	24	24	24				
6 Power type		Electric · Diesel · Gasoline · LPG		LPG	Diesel · LPG	Diesel · LPG	Diesel · LPG	Diesel · LPG				
7 Operation type		Pedestrian · Stand · Sit	in	Sit	Sit	Sit	Sit	Sit				
8 Tire type		S=Solid,P=Pneumatic	F/R	P / P	P / P	P / P	P / P	P / P				
9 Wheels (X:driven)		Number	F/R	2X / 2	2X / 2	2X / 2	2X / 2	2X / 2				
DIMENSIONS	10	h3	Lift	in	118	118	118	118	118			
	11	h2	Standard free lift	in	0	0	0	0	0			
	12	h5	Optional free lift	in	29	29	29	29	29			
	13	h8	Height of load bracket	in	48	48	48	48	48			
	14		Thickness(s) × Width(e) × Length(l)	in	1.4x3.9x42	1.6x4.8x42	1.6x4.8x42	1.8x4.8x42	2.0x4.8x42			
	15		Forward(α) / Back(β)	deg	6° / 12°	6° / 12°	6° / 12°	6° / 12°	6° / 12°			
	16	L2	Length to face of forks	in	90	102.4	102.4	108.7	113.6			
	17	B	Total width/dual	in	41.9 / 0	45.4 / 61.5	45.4 / 61.6	50 / 66.2	50 / 66.2			
	18	h1	Mast height lowered	in	78.7	78.7	78.7	78.7	78.7			
	19	h4	Mast height extended(w/o bracket)	in	146.6	146.6	147.6	148.6	149.6			
	20	h4	Mast height extended	in	166.3	166.3	166.3	166.3	166.3			
	21	h6	Overhead guard height	in	83.5	83.9	83.9	85.5	85.5			
	22	h7	Seat height	in	43.7	44.5	44.5	44.9	44.9			
23	R	Turning radius	in	82.7	87.9	87.9	94.6	102.4				
24	X	Load distance	in	16.9	19.7	19.7	20.3	20.3				
25	Ast	For load 800 × 1200 / 1000 × 1200	in	137.0 / 144.9	146.9 / 154.7	146.9 / 154.7	154.1 / 162	162 / 170				
CHASSIS	26		Number	front/rear	2/2	2/2	2/2	2/2				
	27		Tire size	Front	6.50-10-10P.R.	7.00-12-12P.R.	7.00-12-12P.R.	7.00-12-12P.R.	7.00-12-12P.R.			
	28		Tire size	Rear	5.00-8-8P.R.	6.00-9-10P.R.	6.00-9-10P.R.	6.00-9-10P.R.	6.00-9-10P.R.			
	29	Y	Wheelbase		54	61	61	65	73			
	30		Tread	Center of tires front std (dual)	35.4(0)	38.2(52.9)	38.2(52.9)	41.5(57.4)	41.5(57.4)			
	31		Tread	Center of tires rear	36.4	38.8	38.8	38.8	38.8			
	32	m1	Ground clearance at lowest point		4.7	4.7	4.7	4.7	4.7			
32	m2	center of wheelbase		7.1	7.7	7.7	8.7	8.7				
33		Service brake	Operation/control	Hydraulic	Hydraulic	Hydraulic	Hydraulic	Hydraulic				
34		Parking brake	Operation/control	Hand	Hand	Hand	Hand	Hand				
POWER	35		Type		115D31R	EFB-130D31L 115D31R	EFB-130D31L 115D31R	EFB-130D31L 115D31R	EFB-130D31L 115D31R			
	36		Voltage	V	12	12	12	12	12			
	37		Capacity	AH/SHR	64	85AH/20HR 64	85AH/20HR 64	85AH/20HR 64	85AH/20HR 64			
	38		Dimension (LxWxH)	in	12Lx6.8Wx8.9H	12Lx6.8Wx8.9H	12Lx6.8Wx8.9H	12Lx6.8Wx8.9H	12Lx6.8Wx8.9H			
	39		Weight	bs	49.8	48.4 49.8	48.4 49.8	48.4 49.8	48.4 49.8			

*This is only for reference and not subject to notice in advance if there is any modification.

Engine

Model	ZPFG18 - ZFG35	ZFD20 - ZFD35
Manufacturer	KUBOTA	KUBOTA
Engine Model	WG2503	V2403-CR
Rated Speed	rpm 2700	2400
Rate Output	Kw 41.5	43.2
Cylinders no./displacement	No./L 4/2491	4/2434



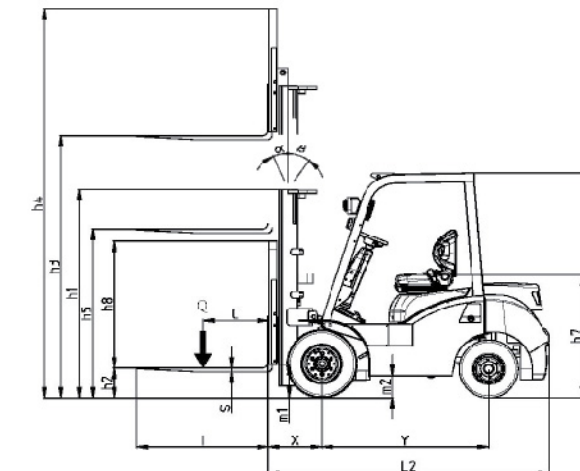
TAILIFT MATERIAL HANDLING TAIWAN CO., LTD.

No. 5, Ziil 1st Road, Nankang Industrial Zone, Nantou city 540, TAIWAN
 Tel: +886-49-2263800 Fax: +886-49-2252919
 Website: www.tailift.com E-mail: insales@tailift.com.tw

TAILIFT MATERIAL HANDLING USA, Inc.

14710 John F Kennedy Blvd. Suite 100 Houston, TX 77032
 Tel: (281) 466-1000
 Email: info@tailift.com
 Website: www.tailift-usa.com

DOC. S/N : DEB091 Edition : 01



3500 ~ 8000 lbs Pneumatic



Z Series / 3,500lbs - 8,000lbs

DIESEL / LPG

Brand New Economy Truck Stable & Endurable



FUNCTION/PERFORMANCE



Multifunctional Instrument panel

Easy read instrument panel installs in between steering wheel and left front side wind shield. It display the status of forklift performance without interfering by steering wheel operations.



Internal hidden tilt cylinder

Internal tilt cylinder avoids and reduces scrape possibility. Enlarge access space and given better appearance.

Non-slip entry step

Large foot space and non-slip make the operator get on and get off the vehicle more easily.



Adjustable steering wheel column

Compact steering column panel is with streamline design. Provide flexible operations & great comfort.



Integral heavy duty chassis

A strong no-bolt integral heavy duty chassis gives the driver more protection from falling loads, suite for all kind working surface.



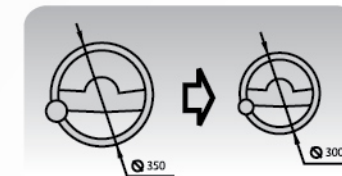
Comfortable seat (*option)

- Ergonomic sharp design and adjustable backrest
- Adjustable forward and reverse,
- Retractable safety belt
- Document bag



EASY AND SMOOTH TURNING

Smaller steering wheel + New rear axle



Smaller 300mm steering wheel easy to operate and reduce operator's arm and shoulder's workload.



The new axle provides wider steering angles to 80 degree and reduces to a smaller turning radius.

LED light

Independent front light, rear light and directional lights. Provide longer service life with much lower power consumption.



Hydraulic control levers

The mechanical-hydraulic control lever disposed at the front of the panel. The ergonomic headlines designed to help reduce the driver's arm fatigue.



Hand Brake

Hand brake is equipped with micro switch to avoid improper touch accidentally and to ensure the safety.



SPACIOUS OPERATION SPACE



Accelerate/Brake/ Inching pedal all configurations with ergonomic design. Wide-open foot space provides the comfortable foot activity space. It is about 30% wider than 7 series. The enlarged space give operator great comfortable and less stress, make the operator get on or get off the vehicle more easily.

ERGONOMICS

Clear view for operator



Excellent top view



Excellent rear view

Excellent front view



Excellent down view

Easy maintenance

- Engine hood using iron material. Features include heat-resistant, non-slip, scratch-resistant and the structure can withstand 450KG heavy weight.
- Engine hood with 70 degrees opening angles.
- Engine hood fix button easily opened and fixed, strong and durable
- The detachable foot pedal without bolts can be easily moved away without the tools.
- Compact fuse box for easy and quick inspection
- Easy change air cleaner



Engine

The new counterbalanced trucks from Tailift now with Kubota engines comply with the latest Stage V / EPA Tier 4 regulations. The advanced stage V / EPA Tier 4 technology provides cleaner solutions and performance to meet customers would expect.